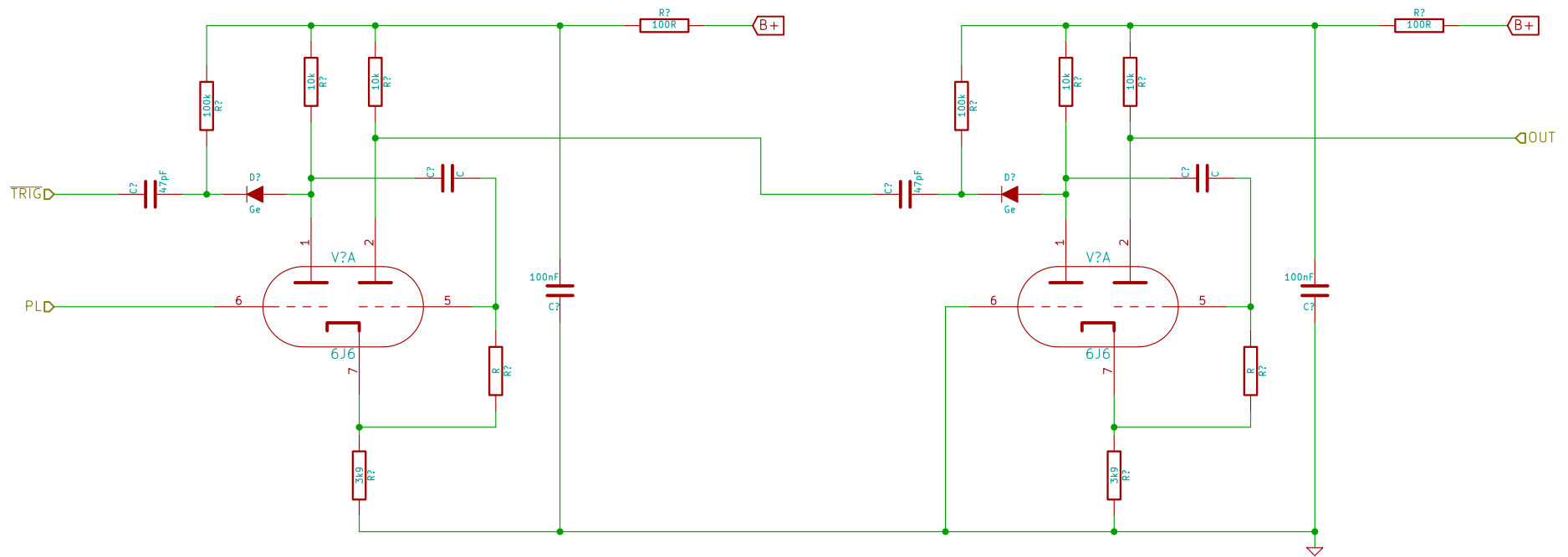
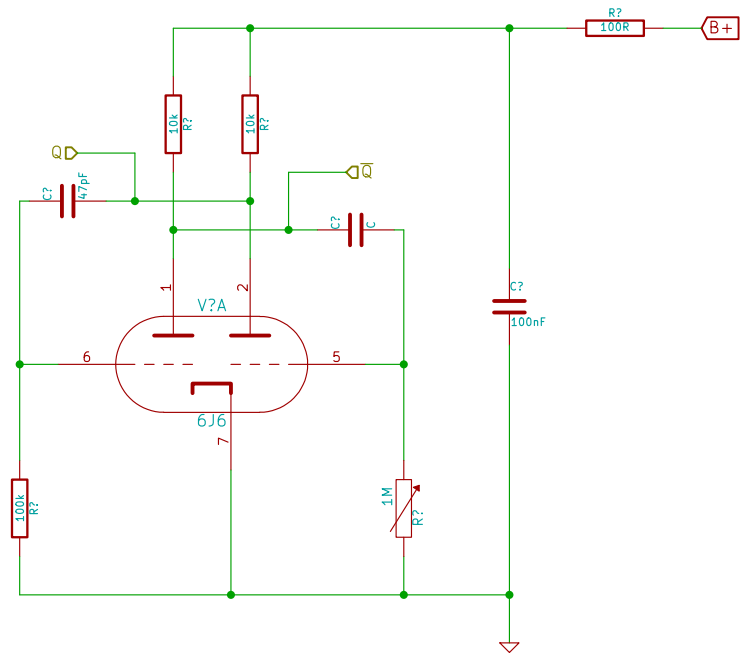


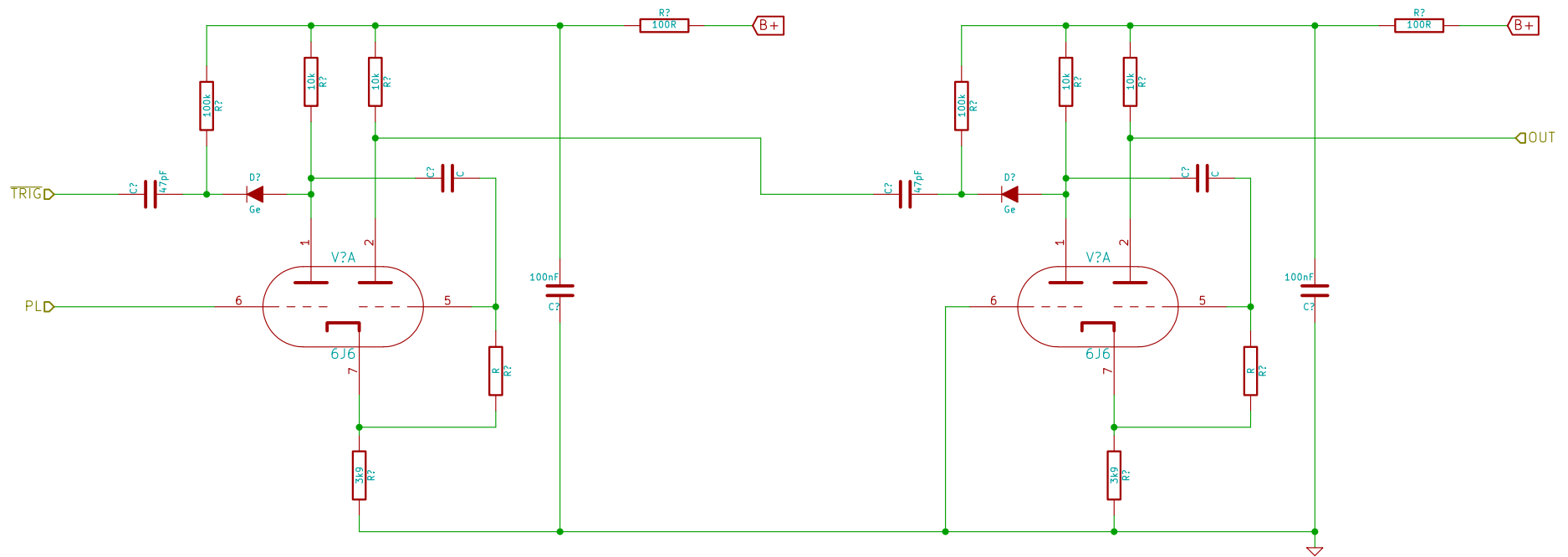
File: Tube Pong.sch		Rev: 0	
Sheet: /		Id: 1/21	
Title: Television Tennis		Date: 18 aug 2014	
Size: A4	KiCad E.D.A.		



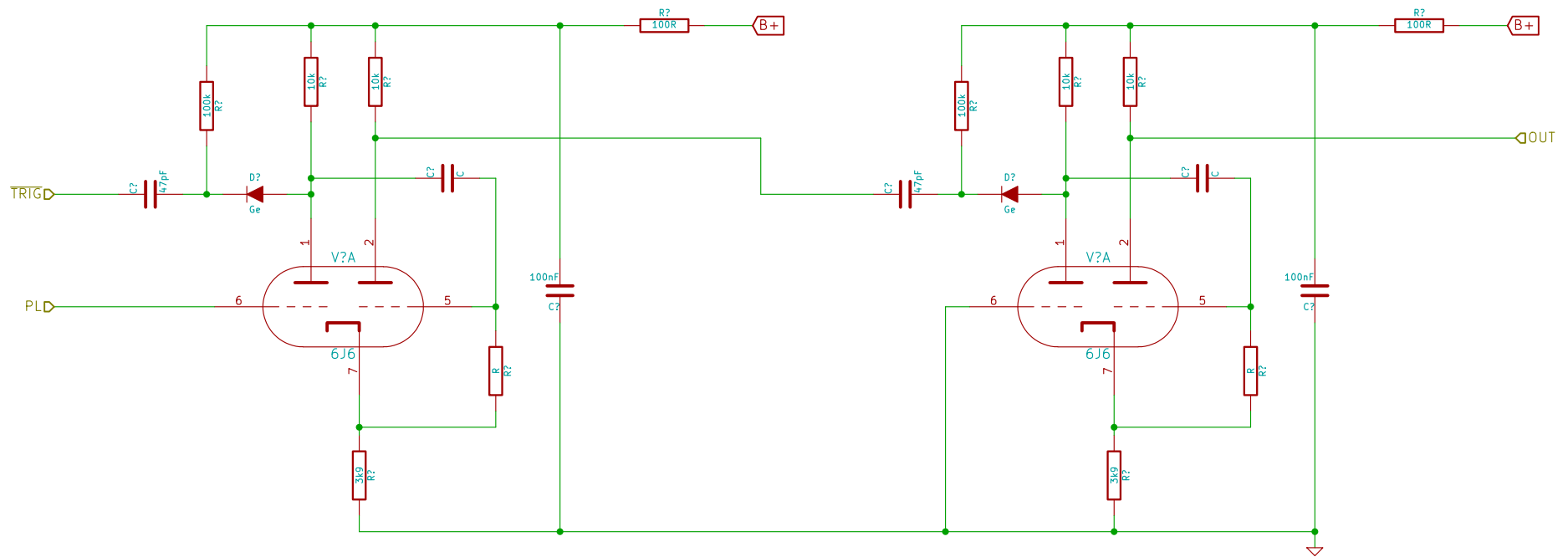
File: Variable Pulse.sch	
Sheet: /H Paddle 1/	
Title: Television Tennis	
Size: A4	Date: 18 aug 2014
KiCad E.D.A.	Rev: 0
	Id: 2/21



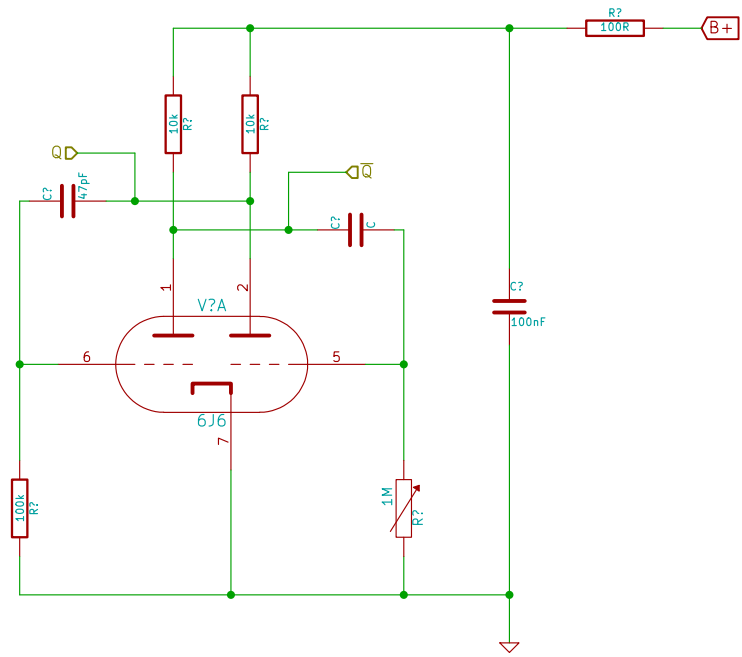
File: Sync Osc.sch	
Sheet: /Horizontal Osc/	
Title: Television Tennis	
Size: A4	Date: 18 aug 2014
KiCad E.D.A.	Rev: 0
	Id: 3/21



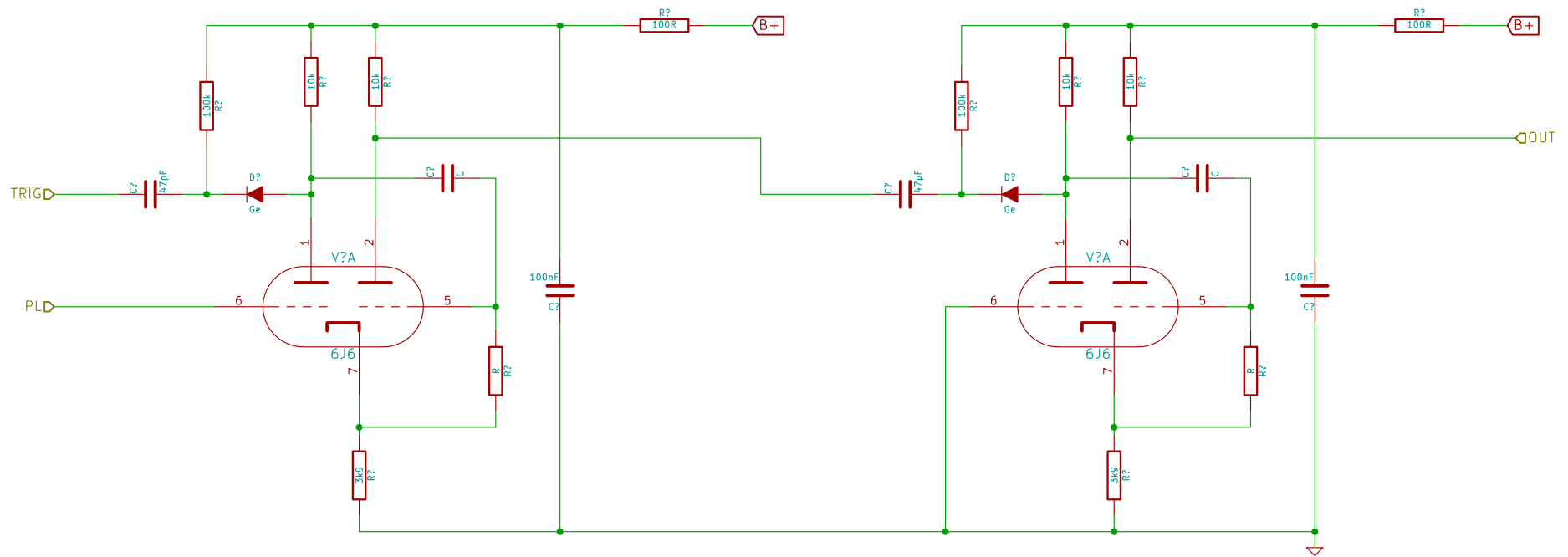
File: Variable Pulse.sch	
Sheet: /H Paddle 2/	
Title: Television Tennis	
Size: A4	Date: 18 aug 2014
KiCad E.D.A.	Rev: 0
	Id: 4/21



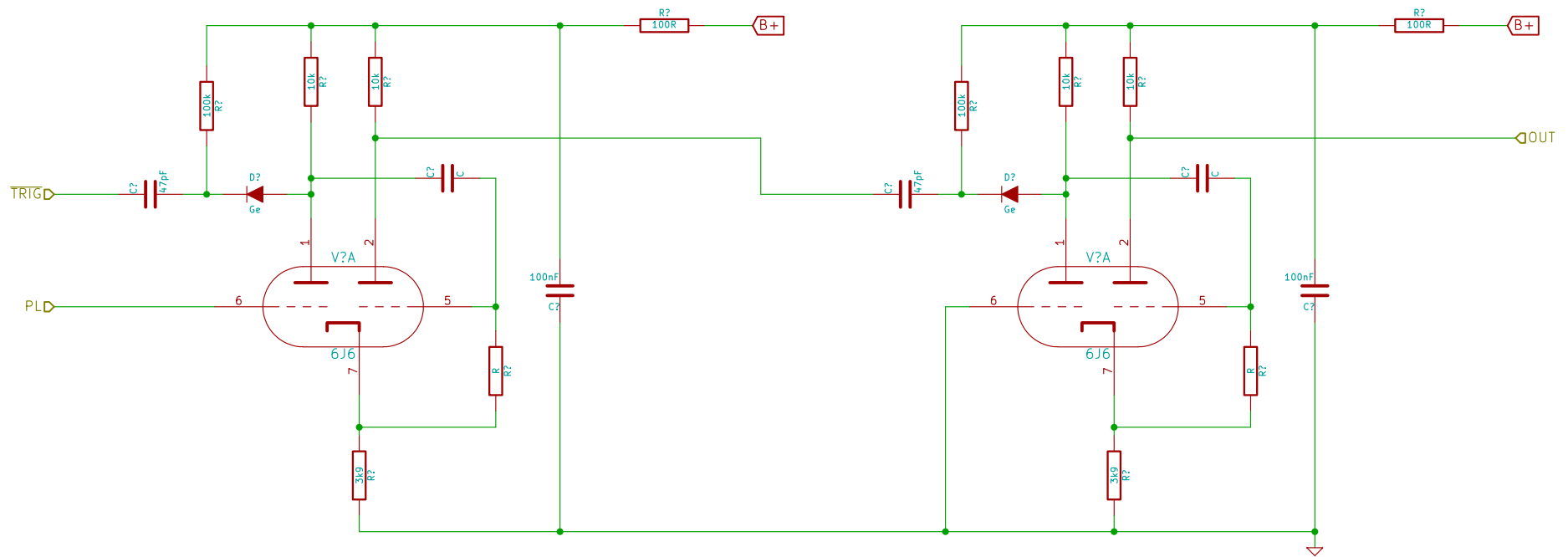
File: Variable Pulse.sch	
Sheet: /H Ball/	
Title: Television Tennis	
Size: A4	Date: 18 aug 2014
KiCad E.D.A.	Rev: 0
	Id: 5/21



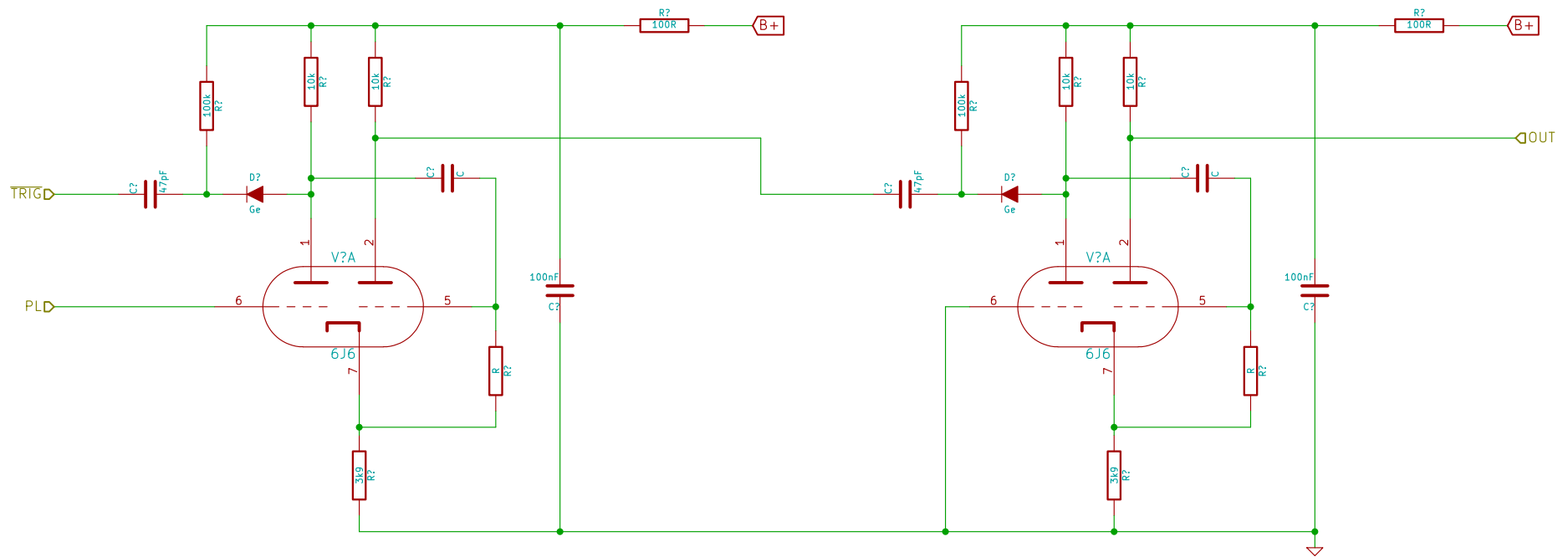
File: Sync Osc.sch	
Sheet: /Vertical Osc/	
Title: Television Tennis	
Size: A4	Date: 18 aug 2014
KiCad E.D.A.	Rev: 0
	Id: 6/21



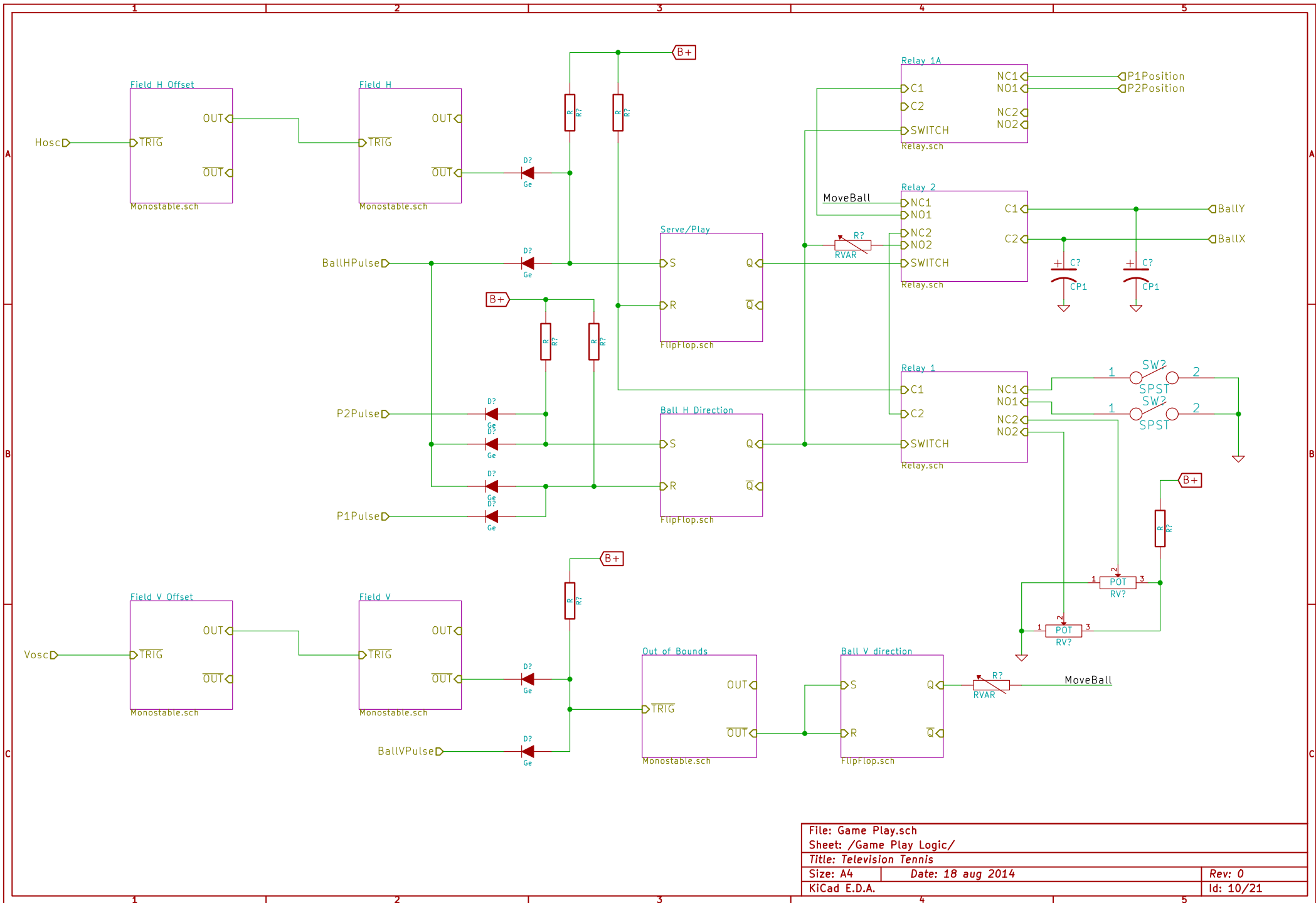
File: Variable Pulse.sch	
Sheet: /V Paddle 1/	
Title: Television Tennis	
Size: A4	Date: 18 aug 2014
KiCad E.D.A.	Rev: 0
	Id: 7/21



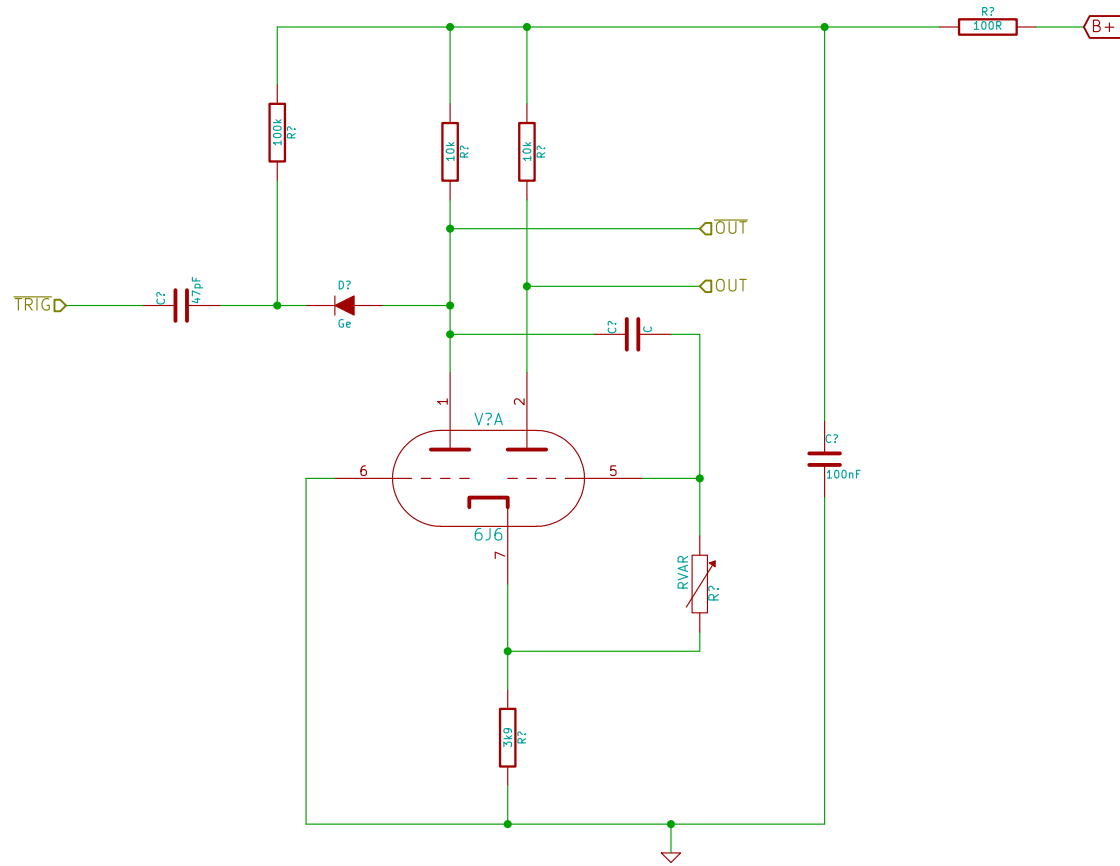
File: Variable Pulse.sch	
Sheet: /V Paddle 2/	
Title: Television Tennis	
Size: A4	Date: 18 aug 2014
KiCad E.D.A.	Rev: 0
	Id: 8/21



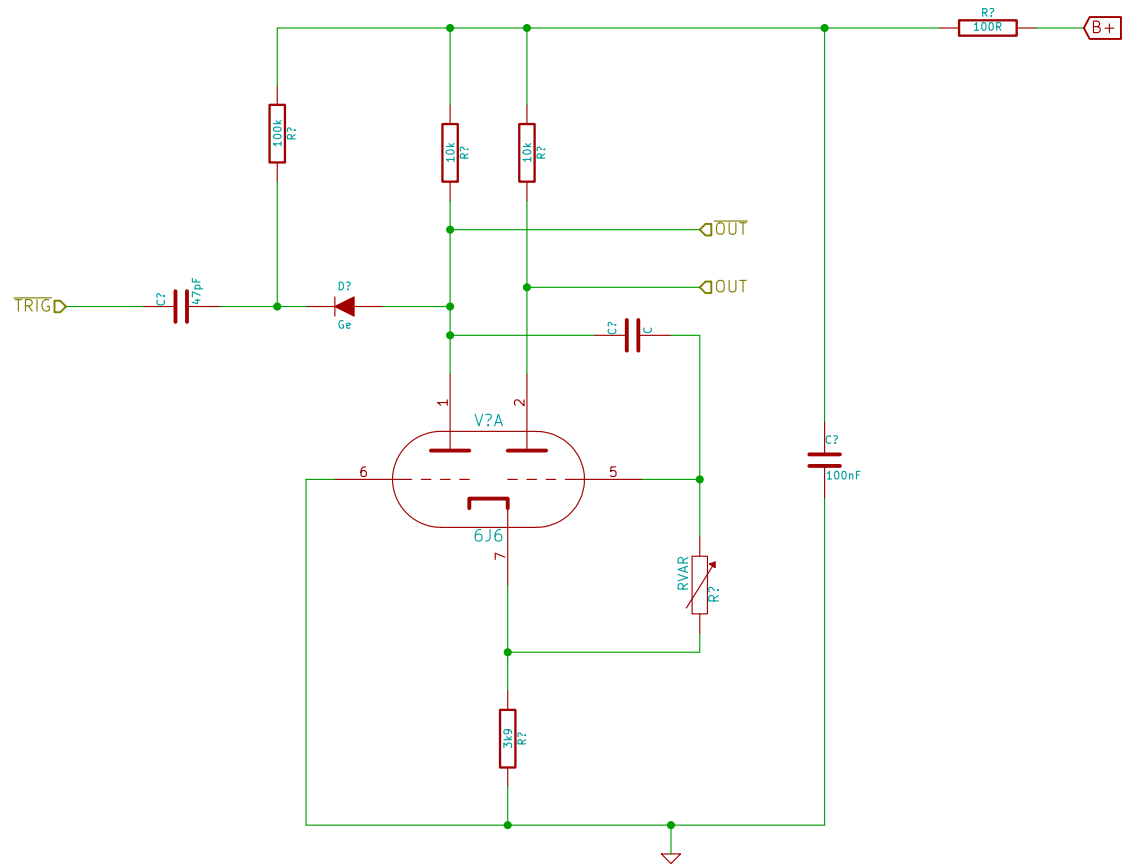
File: Variable Pulse.sch	
Sheet: /V Ball/	
Title: Television Tennis	
Size: A4	Date: 18 aug 2014
KiCad E.D.A.	Rev: 0
	Id: 9/21



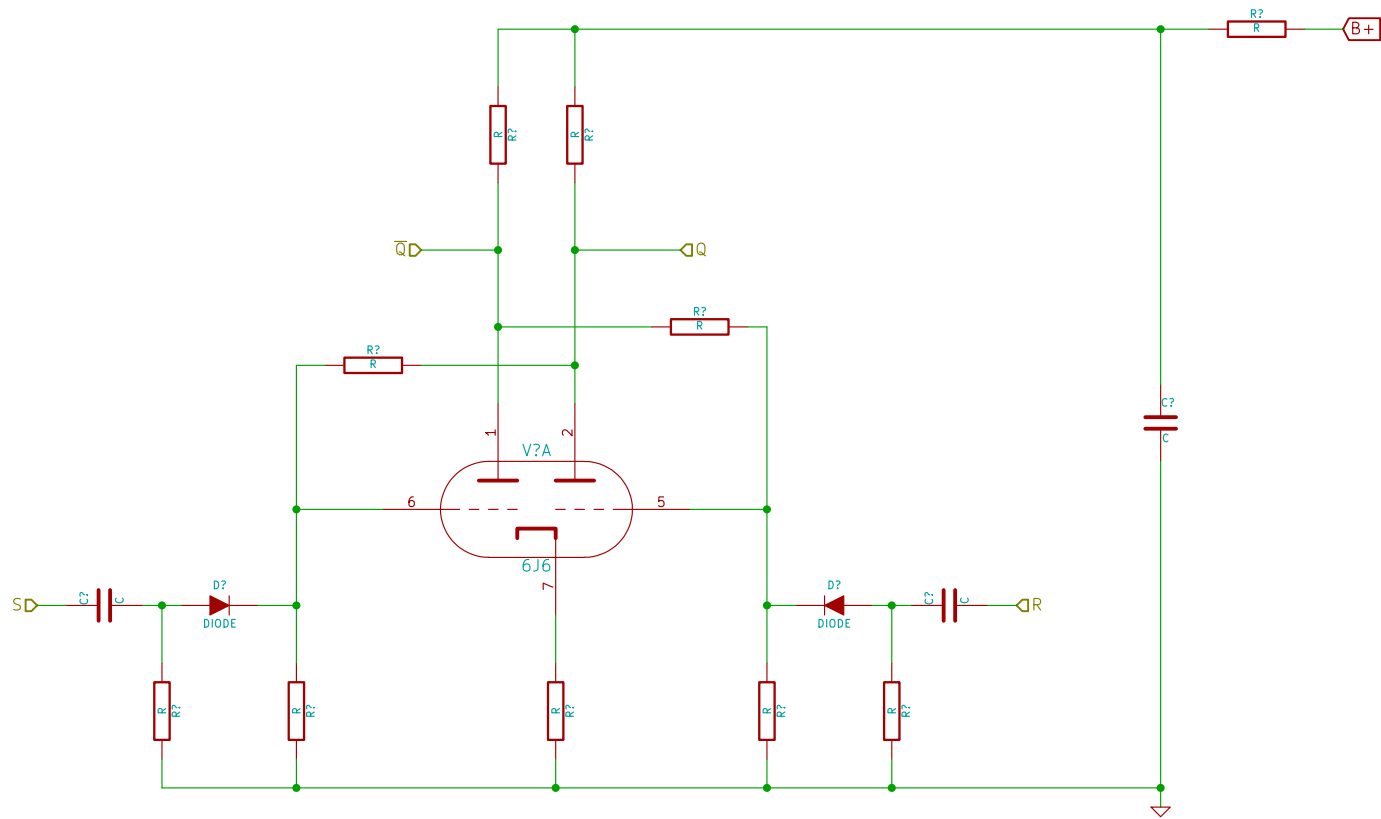
File: Game Play.sch	
Sheet: /Game Play Logic/	
Title: Television Tennis	
Size: A4	Date: 18 aug 2014
KiCad E.D.A.	Rev: 0
	Id: 10/21



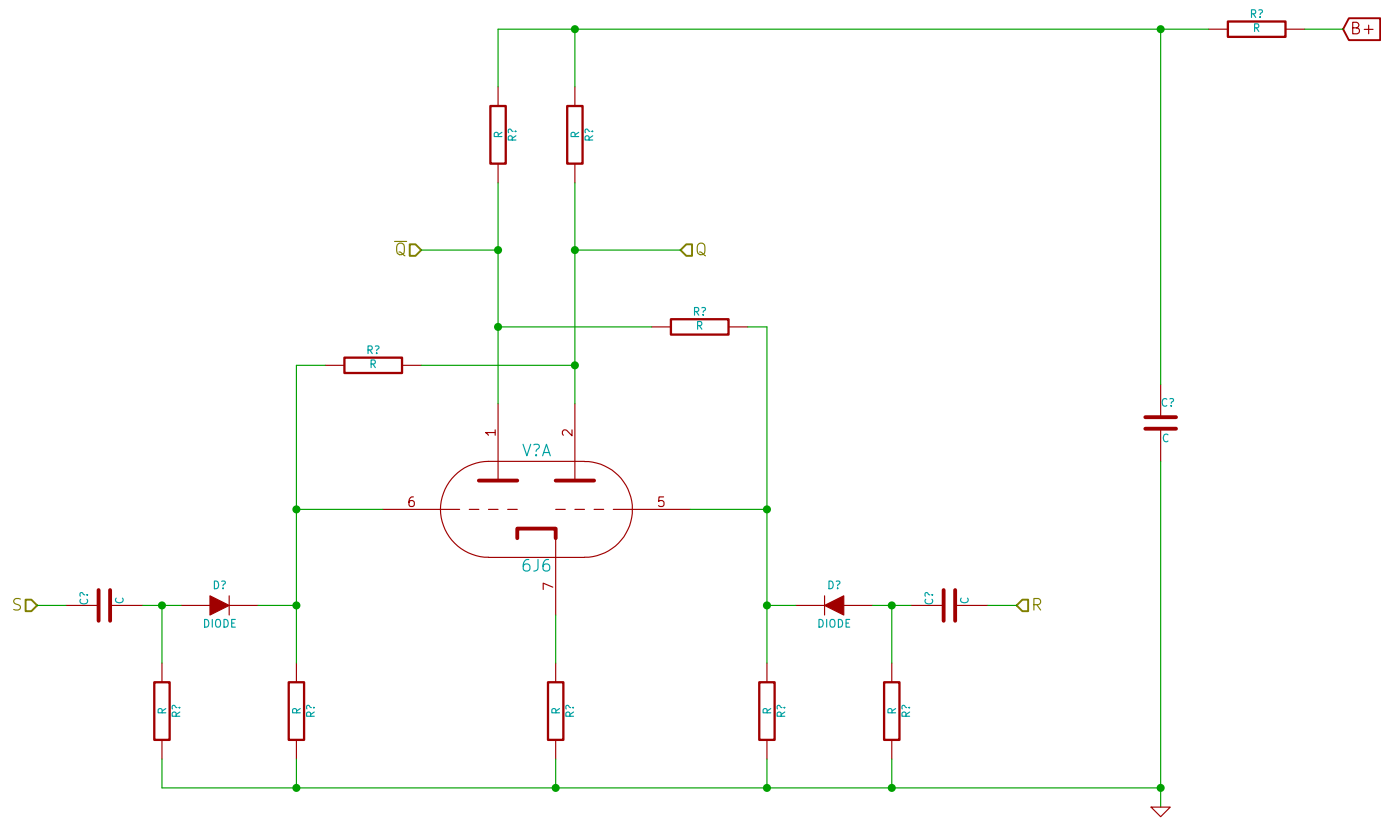
File: Monostable.sch	
Sheet: /Game Play Logic/Field H Offset/	
Title: Television Tennis	
Size: A4	Date: 18 aug 2014
KiCad E.D.A.	Rev: 0
	Id: 11/21



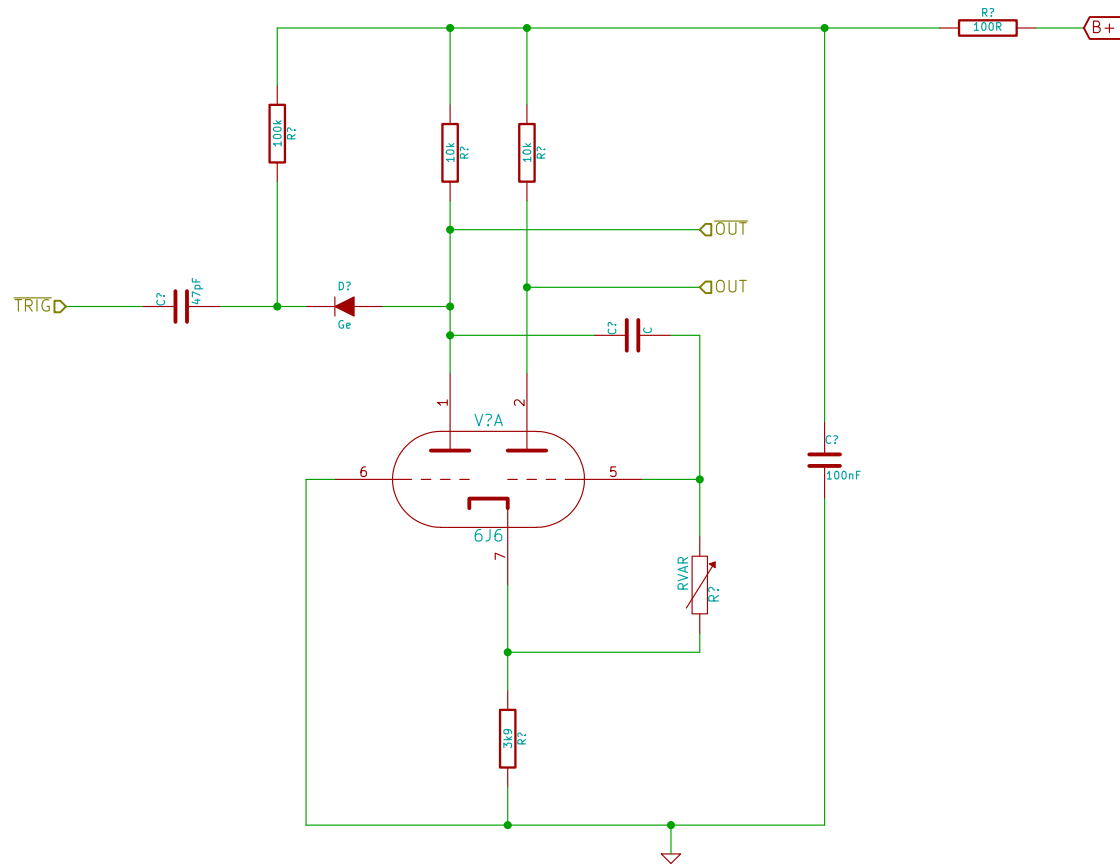
File: Monostable.sch	
Sheet: /Game Play Logic/Field H/	
Title: Television Tennis	
Size: A4	Date: 18 aug 2014
KiCad E.D.A.	Rev: 0
	Id: 12/21



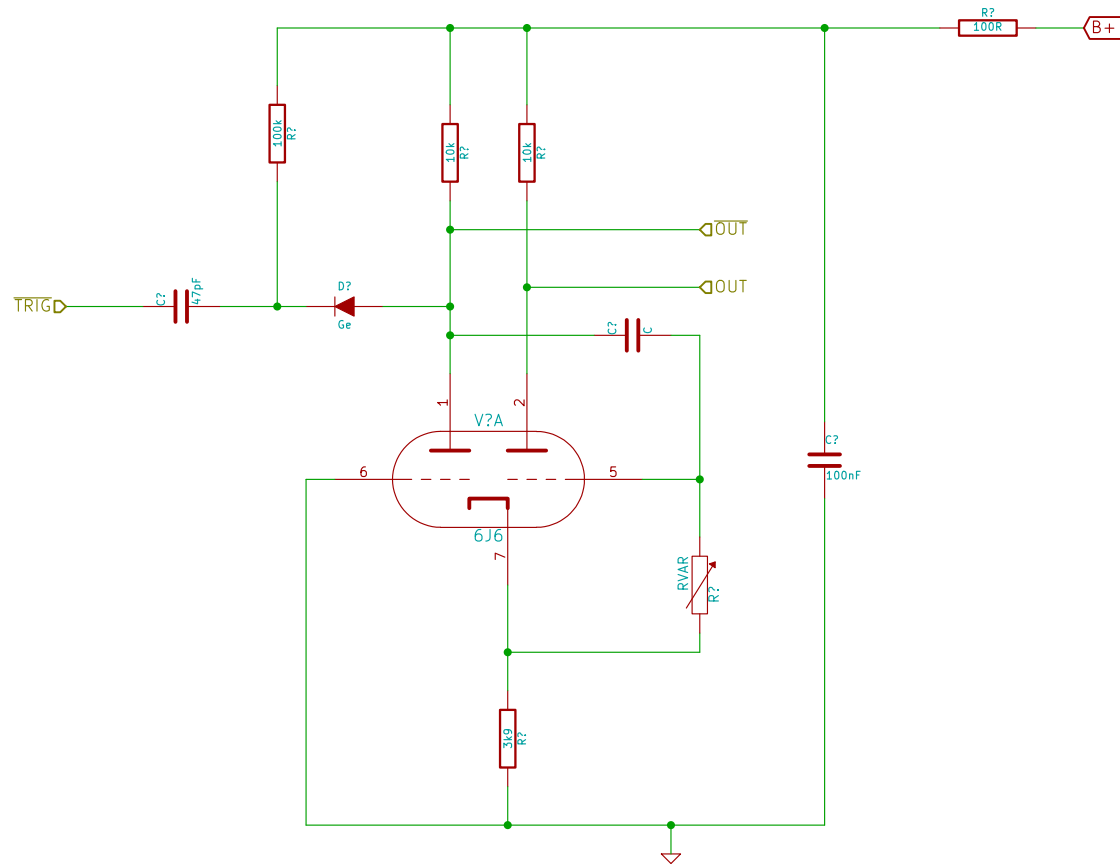
File: FlipFlop.sch	
Sheet: /Game Play Logic/Serve/Play/	
Title: Television Tennis	
Size: A4	Date: 18 aug 2014
KiCad E.D.A.	Rev: 0
	Id: 13/21



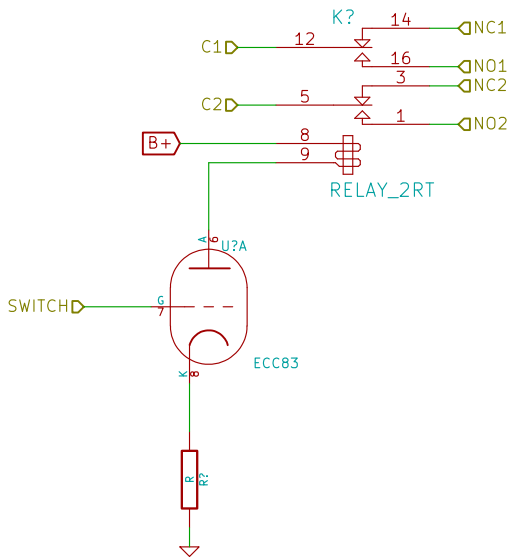
File: FlipFlop.sch	
Sheet: /Game Play Logic/Ball H Direction/	
Title: Television Tennis	
Size: A4	Date: 18 aug 2014
KiCad E.D.A.	Rev: 0
	Id: 14/21



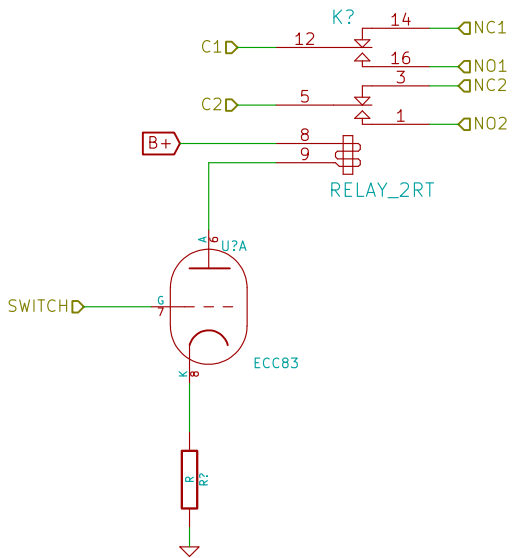
File: Monostable.sch	
Sheet: /Game Play Logic/Field V Offset/	
Title: Television Tennis	
Size: A4	Date: 18 aug 2014
Rev: 0	Id: 15/21



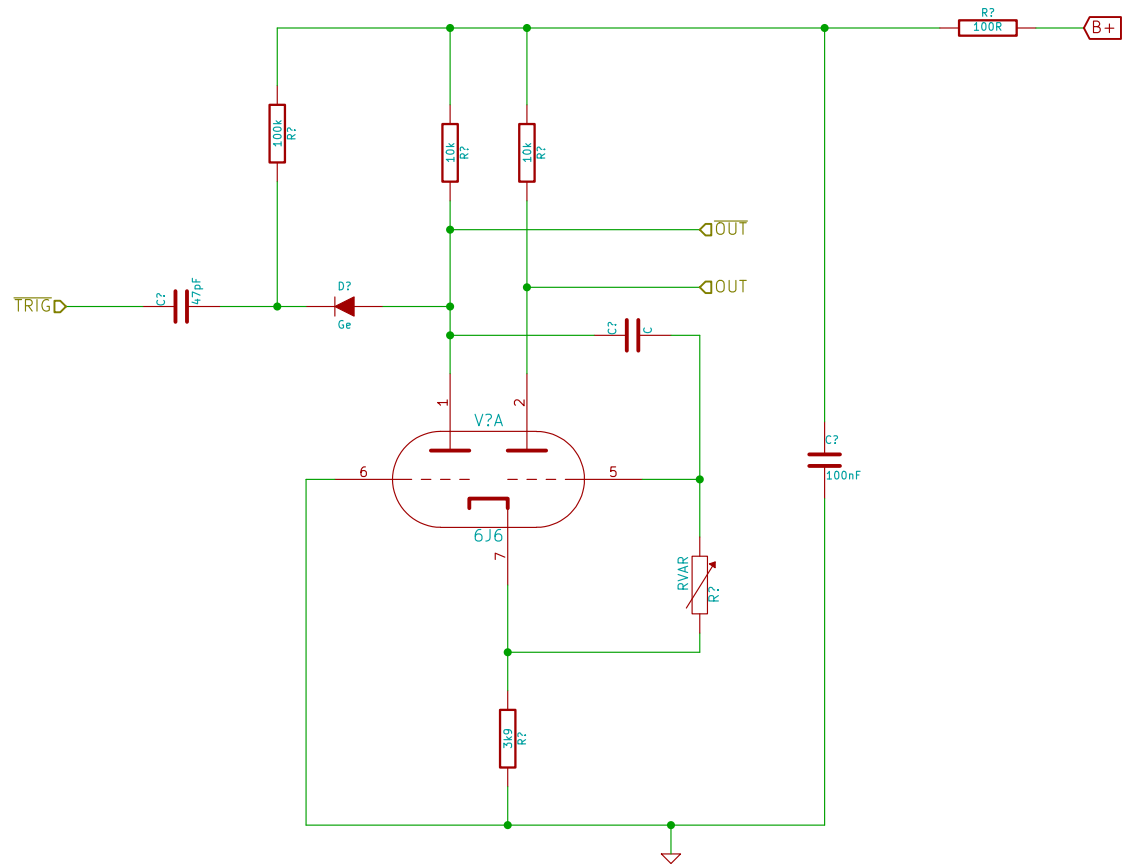
File: Monostable.sch	
Sheet: /Game Play Logic/Field V/	
Title: Television Tennis	
Size: A4	Date: 18 aug 2014
KiCad E.D.A.	Rev: 0
	Id: 16/21



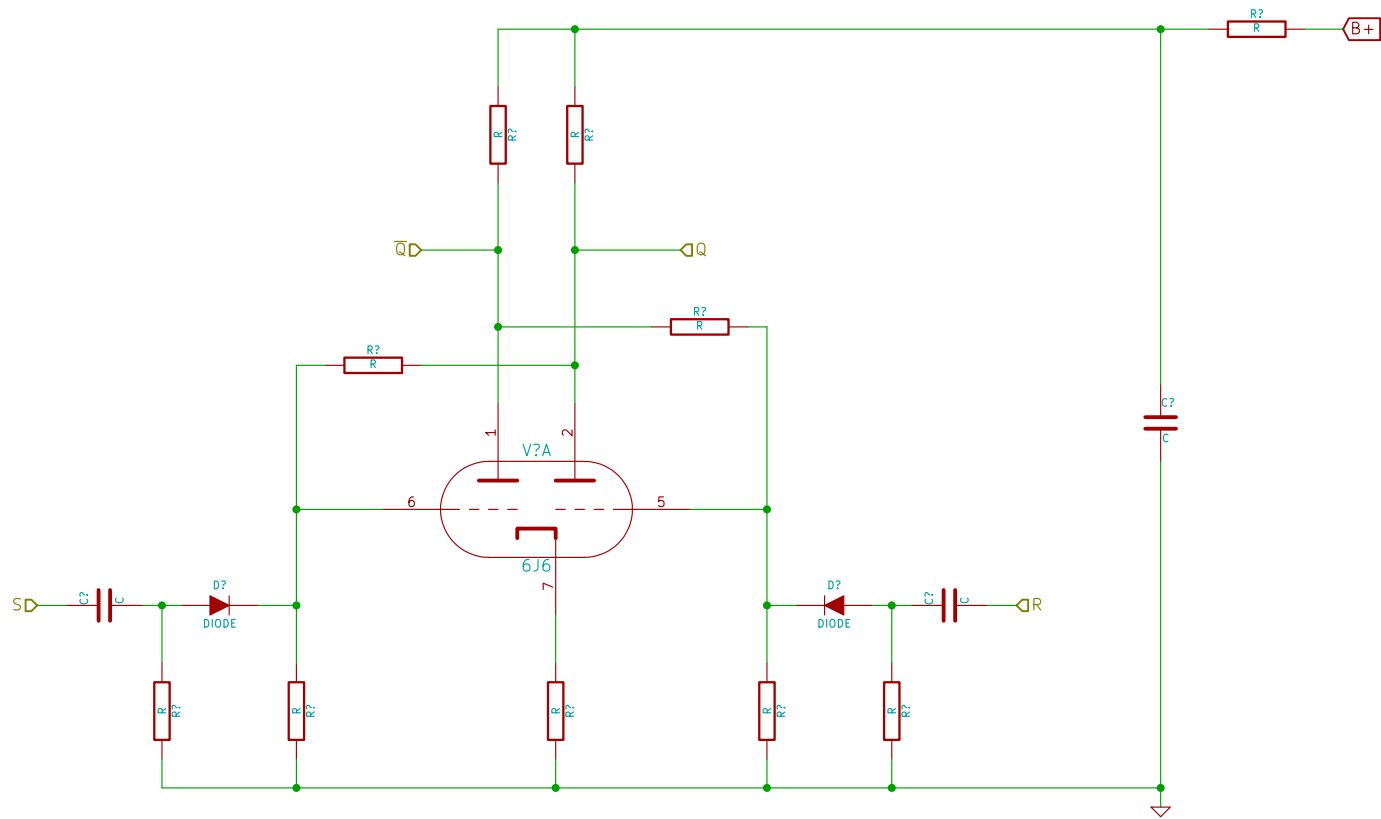
File: Relay.sch	
Sheet: /Game Play Logic/Relay 1/	
Title: Television Tennis	
Size: A4	Date: 18 aug 2014
KiCad E.D.A.	Rev: 0
	Id: 17/21



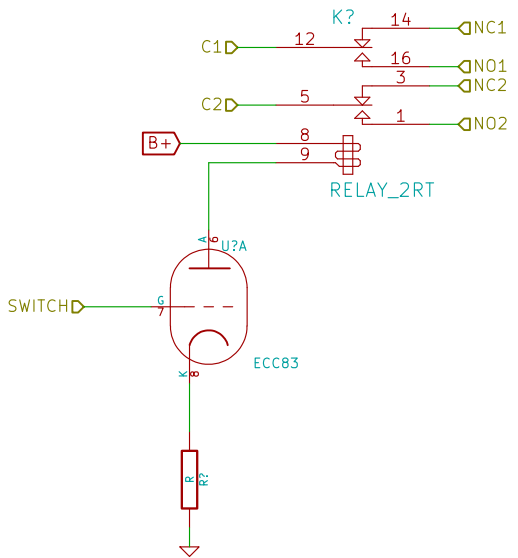
File: Relay.sch	
Sheet: /Game Play Logic/Relay 2/	
Title: Television Tennis	
Size: A4	Date: 18 aug 2014
KiCad E.D.A.	Rev: 0
	Id: 18/21



File: Monostable.sch	
Sheet: /Game Play Logic/Out of Bounds/	
Title: Television Tennis	
Size: A4	Date: 18 aug 2014
KiCad E.D.A.	Rev: 0
	Id: 19/21



File: FlipFlop.sch	
Sheet: /Game Play Logic/Ball V direction/	
Title: Television Tennis	
Size: A4	Date: 18 aug 2014
KiCad E.D.A.	Rev: 0
	Id: 20/21



File: Relay.sch	
Sheet: /Game Play Logic/Relay 1A/	
Title: Television Tennis	
Size: A4	Date: 18 aug 2014
KiCad E.D.A.	Rev: 0
	Id: 21/21